



JOHN DEERE

OPERATOR'S MANUAL
Pattern Mowing Kit

LP68213
Supplier ST50762
9/13/2018
English

Introduction

Using Your Operator's Manual

Read this entire operator's manual, especially the safety information, before operating.

This manual is an important part of your machine. Keep all manuals in a convenient location so they can be accessed easily.

Use the safety and operating information in the attachment operator's manual, along with the machine operator's manual, to operate and service the attachment safely and correctly.

If your attachment manual has a section called Preparing the Machine, it means that you will have to do something to your tractor or vehicle before you can install the attachment. The Assembly and Installation sections of this manual provide information to assemble and install the attachment to your tractor or vehicle. Use the Service section to make any needed adjustments and routine service to your attachment.

If you have any questions or concerns with the assembly, installation, or operation of this attachment, see your local John Deere dealer or call the John Deere Customer Contact Center at 1-888-867-2238 for assistance.

Warranty information on this John Deere attachment can be found in the warranty that came with your John Deere tractor or vehicle.

Table of Contents

Introduction.....	2
Product Compatibility	2
Safety	3
Assembly.....	4
Installation	6
Operation.....	7
Getting Quality Service	8
Warranty.....	8

Product Compatibility

This kit is compatible with Z7 Series (E,M,R) with 48", 54", and 60" decks.

Original instructions. All information, illustrations and specifications in this manual are based on the latest information available at the time of publication.

The right is reserved to make changes at any time without notice.

Safety

Read Safety in Machine Operator's Manual

Read the general safety operating precautions in your machine installation instruction manual for additional safety information.

Operating Safely

- Read the machine and attachment operator's manual carefully. Be thoroughly familiar with the controls and the proper use of the equipment. Know how to stop the machine and disengage the controls quickly.
- This attachment is intended for use in lawn and property maintenance applications. Do not use for use other than intended by the manufacturer.
- Do not modify machine or safety devices. Unauthorized modifications to the machine or attachment may impair its function and safety.
- Do not let children or an untrained person operate machine.
- Make any necessary adjustments before you operate. Never attempt to make any adjustments while the engine is running, unless if recommended in adjustment procedure.
- Look behind machine before you back up. Back up carefully.
- Do not let anyone, especially children, ride on machine or attachment. Riders are subject to injury such as being struck by foreign objects and being thrown off. Riders may also obstruct the operator's view, resulting in the machine being operated in an unsafe manner.
- Disengage any power to the attachment when the machine is transported or not in use.

Parking Safety

1. Stop machine on a level surface.
2. Lock the park brake
3. Stop the engine
4. Remove the key
5. Wait for engine and all moving parts to stop before you leave the operator's seat

Practice Safe Maintenance

- Only qualified, trained adults should service this machine.
- Understand service procedure before doing work. Keep area clean and dry.
- Do not operate the engine in a confined space where dangerous carbon monoxide fumes can collect.

- Never lubricate, service or adjust the machine or attachment while it is moving. Keep safety devices in place and in working condition. Keep hardware tight.
- Keep hands, feet, clothing, jewelry, and long hair away from any moving parts, to prevent them from getting caught.
- Lower any attachment completely to the ground or to an existing attachment mechanical stop before servicing the attachment. Disengage all power and stop the engine. Lock park brake and remove the key. Let machine cool.
- Disconnect battery or remove spark plug wire (for gasoline engines) before making any repairs.
- Before servicing machine or attachment, carefully release pressure from any components with stored energy, such as hydraulic components and springs.
- Release hydraulic pressure by lowering attachment or cutting units to the ground or to a mechanical stop and move hydraulic control levers.
- Securely support any machine or attachment elements that must be raised for service work. Use jack stands or lock service latches to support components when needed.
- Never run engine unless park brake is locked.
- Keep all parts in good condition and properly installed. Fix damage immediately. Replace worn or broken parts. Replace all worn or damaged safety and instruction decals.
- Check all hardware at frequent intervals to be sure the equipment is in safe working condition.
- Do not modify machine or safety devices. Unauthorized modifications to the machine or attachment may impair its function and safety

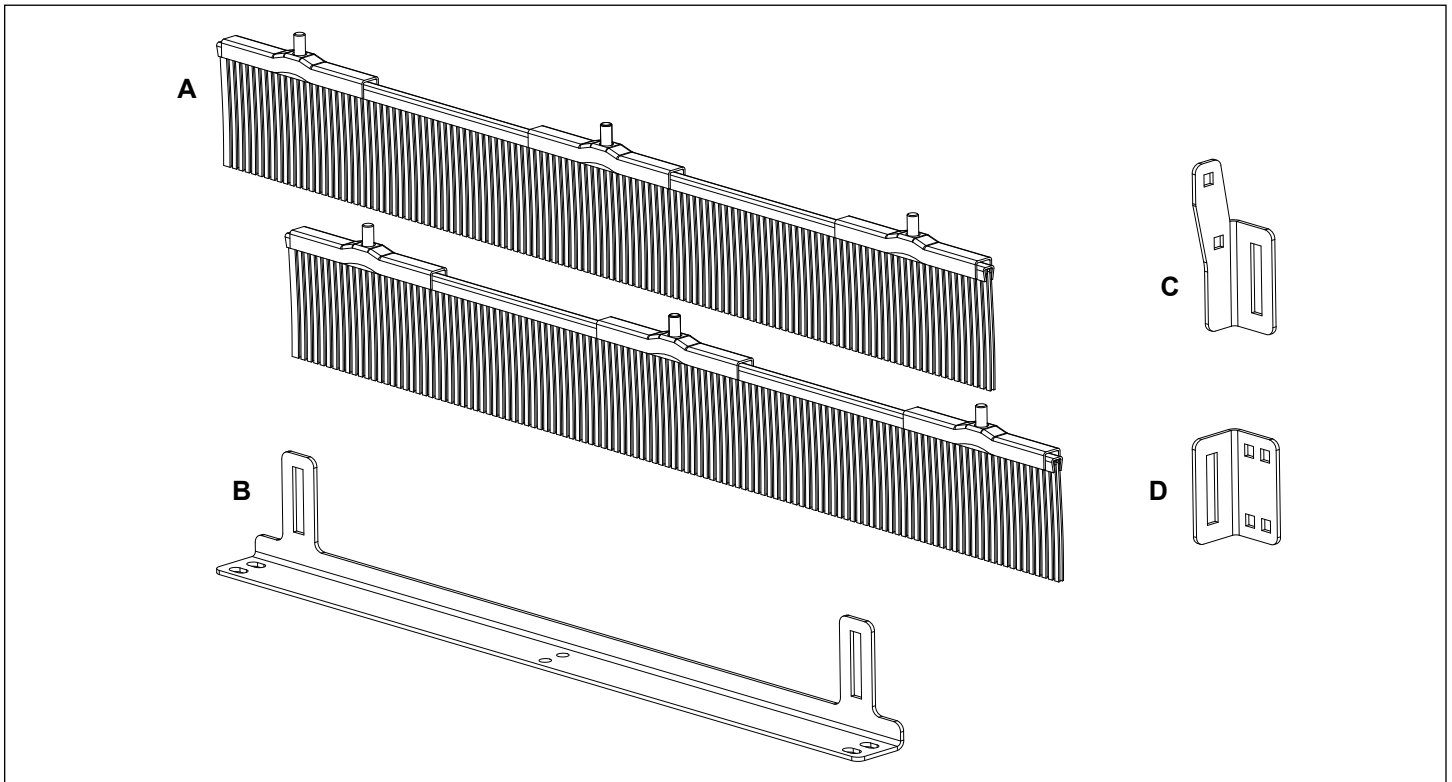
Wear Appropriate Clothing



- Always wear eye protection when operating the machine.
- Wear close fitting clothing and safety equipment appropriate for the job.
- While operating this machine, always wear substantial footwear and long trousers. Do not operate the equipment when barefoot or wearing open sandals.
- Wear a suitable protective device such as earplugs. Loud noise can cause impairment or loss of hearing.

Assembly

Parts in Kit



Main Components

	Description	Qty
A	Brush	2
B	Mounting Bracket	1
C	Mower Mounting Bracket Left	1
D	Mower Mounting Bracket Right	1

Hardware Bag

Description	Qty
5/16" x 3/4" Carriage Bolt	4
5/16" Flange Nut	10
3/8" Lock Knob	2
3/8" x 3-1/2" Carriage Bolt	2
3/8" Flat Washer	2
3/8" Lock Nut	2
3/8" Star Washer	2
Spacer	4

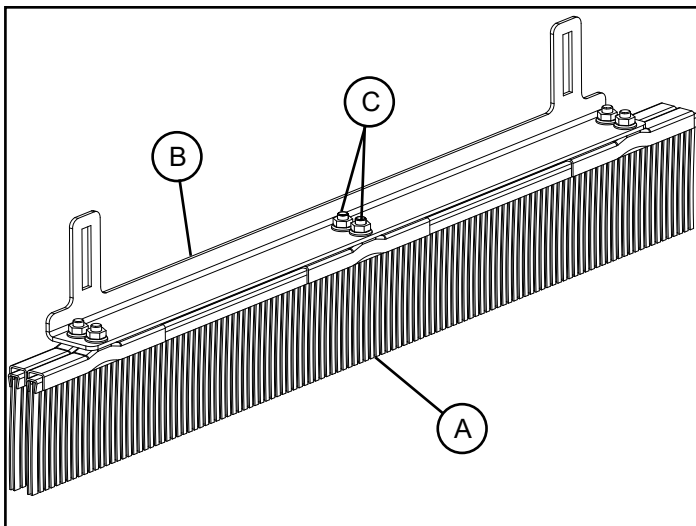
Assembly

Parking Safely

1. Stop machine on a level surface.
2. Disengage mower blades.
3. Move motion control levers out to the Start/Shutdown position to lock the parking brake
4. Stop the engine.
5. Remove the key.
6. Wait for engine and all moving parts to stop before you leave the operator's seat.
7. Disconnect the negative battery cable or remove the spark plug wire (for gasoline engines) before servicing the machine.

Assembly

8. Attach Brushes (A) to Brush Support (B) using six 5/16" Flange Nuts (C).



Installation

Installing Groomer



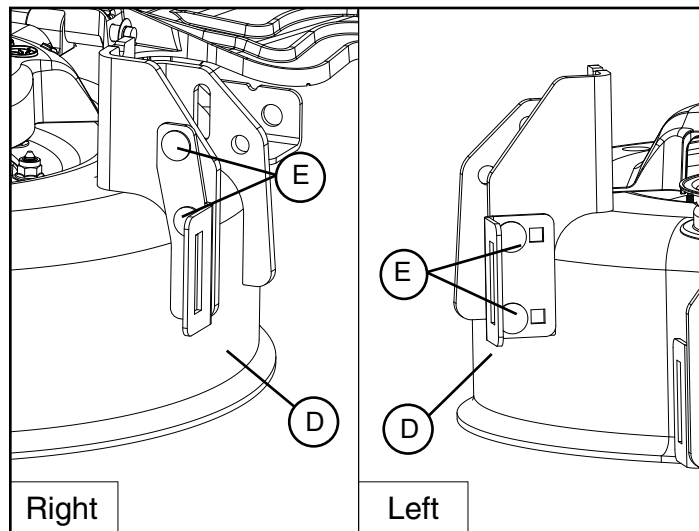
Caution: Avoid injury! Blades are sharp and can cut. Use Caution and wear gloves when handling blades or working near blades.



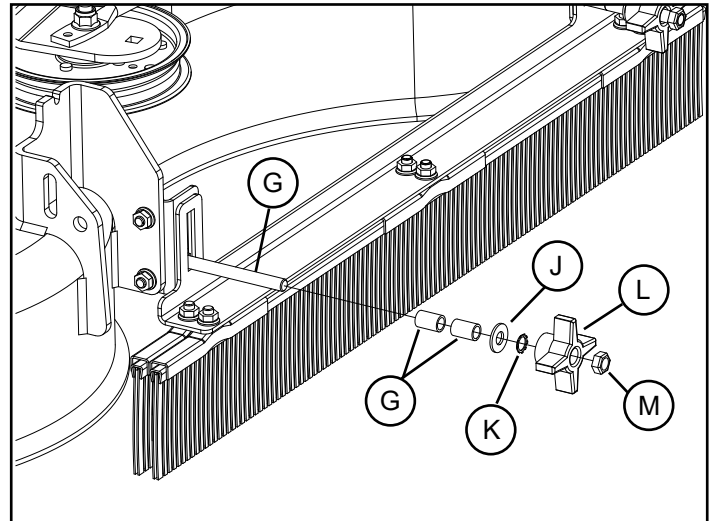
Caution: Avoid injury! Machine component or attachment is heavy. Use a safe lifting device or get an assistant to help lift, install or remove component or attachment.

NOTE: Bolt as shown for 54A mower deck, use holes(H) for 48A deck.

1. Attach Mower Mount Brackets (D) to the inside of the mower deck lift brackets using 5/16" x 3/4" Carriage Bolts (E) and 5/16" Flange Nuts. Fasten left side as shown for 48" and 60" decks. For 54" deck, use other square holes (F).



2. Connect brush support assembly to mower mount brackets at desired height (see page 4) using 3/8" x 3-1/2" Carriage Bolt (G), two Spacers (H), 3/8" Flat Washer (J), 3/8" Star Washer (K) and 3/8" Lock Knob (L). Thread 3/8" Lock Nut (M) onto the ends of the threads to prevent lock knobs from vibrating off.



Operation

The Pattern Mowing Kit extends the capability of compatible ZTrak models by providing a means to create cosmetic pattern effects on the lawn during the mowing process.

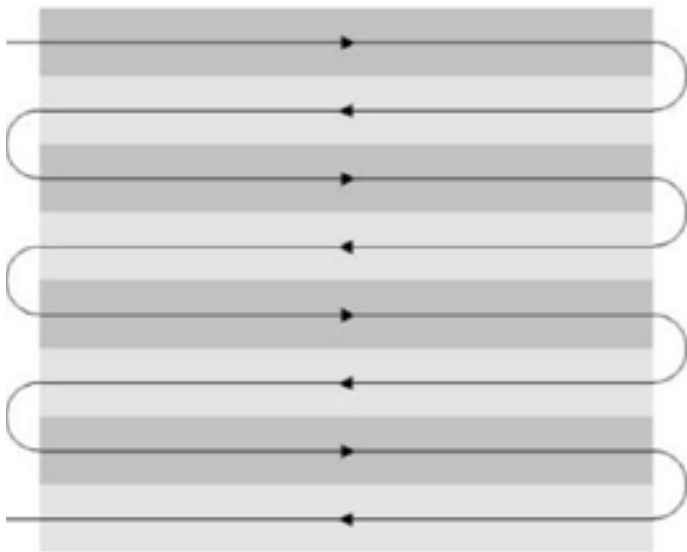
Mowing patterns can create attractive “striping” or “checkered” effects, as sunlight reflects off of the grass, bent in different directions by alternating rows or crisscrossed designs.

To accomplish this, mowing must be planned to alternate direction of mowing travel with each pass to create the most effective patterns.

For best pattern results, mowing height should be at least 2” and mowing direction should be alternated 90° (perpendicular) at each mowing from the previous time. Removing grass clippings with a material collection system will also enhance the visual effect of any pattern.

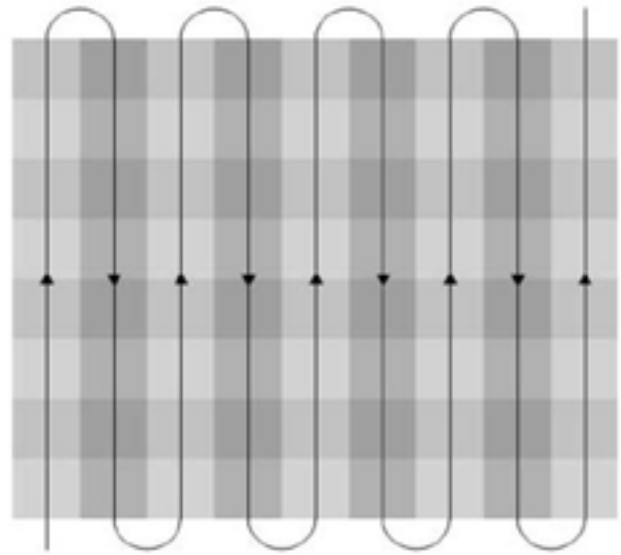
Creating a Stripped Pattern

Create a striped pattern by mowing in straight-line passes, alternating the direction of travel with each pass.



To create a checkered Pattern

First, create a striped pattern. Then complete the checkered pattern by creating another striped pattern perpendicular to the first one. The intersection of the two striped patterns creates a checkerboard effect.



Adjusting Groomer



Caution: Avoid injury! Touching hot surfaces can burn skin. The engine, components and fluids will be hot if the engine has been running. Allow the engine to cool before servicing or working near the engine and components.

Before making any adjustments to the pattern mowing kit, be sure to observe “Parking Safely” guidelines, as listed in the parking safely section of this manual.

Remove grass and debris from engine compartment, muffler area, and mower deck before and after operating machine, especially after mowing or mulching in dry conditions.

Determine desired grass height and adjust mower deck-cutting height. The Pattern Mowing Kit works best with taller grass height, 2-1/2 to 3-1/2 in. Mowing heights shorter than 2in. do not allow adequate pattern creation.

Lower mower deck to cutting height, then loosen the two plastic locking knobs and lower the brush assembly until it touches the lawn surface. Lock the knobs to secure brush position. Lowering the brush farther to exert more pressure provides no additional benefit, and will reduce brush life and performance.

The brush may be reversed by removing it from the brush support and re-installing in the opposite direction. Recommended interval is once yearly, or as needed.

When parking the mower or when the mower deck is not in use, always raise the mower deck to lift the brush off the surface.

Getting Quality Service

John Deere Quality Continues with Quality Service

John Deere provides a process to handle your questions or problems, should they arise, to ensure that product quality continues with quality parts and service support.

Follow the steps below to get answers to any questions you may have about your product.

Refer to your attachment and machine operator manuals.

In North America or Canada, call John Deere Special Services at 1-888-867-2238 and provide product serial number (if available) and model number.

Warranty

Limited Warranty for New John Deere Licensed Products

Superior Tech's attachments are guaranteed to be free from defects in material and workmanship from the date of purchase for 1 year residential use, 6 months commercial use, provided that the purchaser properly assembles, installs, uses and maintains the products in accordance with this manual.

Purchaser's failure to adhere to such requirements will void the warranty. To the extent permitted by applicable law, all other warranties, representations, obligations and conditions, expressed or implied, including but not limited to implied warranties of merchantability, fitness for any particular purpose and non-infringement, are hereby disclaimed and excluded.

Any product which does not meet warranty shall, as purchaser's sole and exclusive remedy, be repaired or replaced by Superior Tech. This warranty is non-transferable.

- In addition, our warranty does not cover:
- Labor charges.
- Loss or consequential, incidental or special damages of any kind.

This product was manufactured by Superior Tech, Inc, a John Deere Licensee, located at 1811 Rohrerstown Road, Lancaster, PA 17601. If you have any questions or concerns with the assembly, installation, or operation of this attachment, see your local John Deere dealer or call Superior Tech at 1-888-867-2238 for assistance.

